

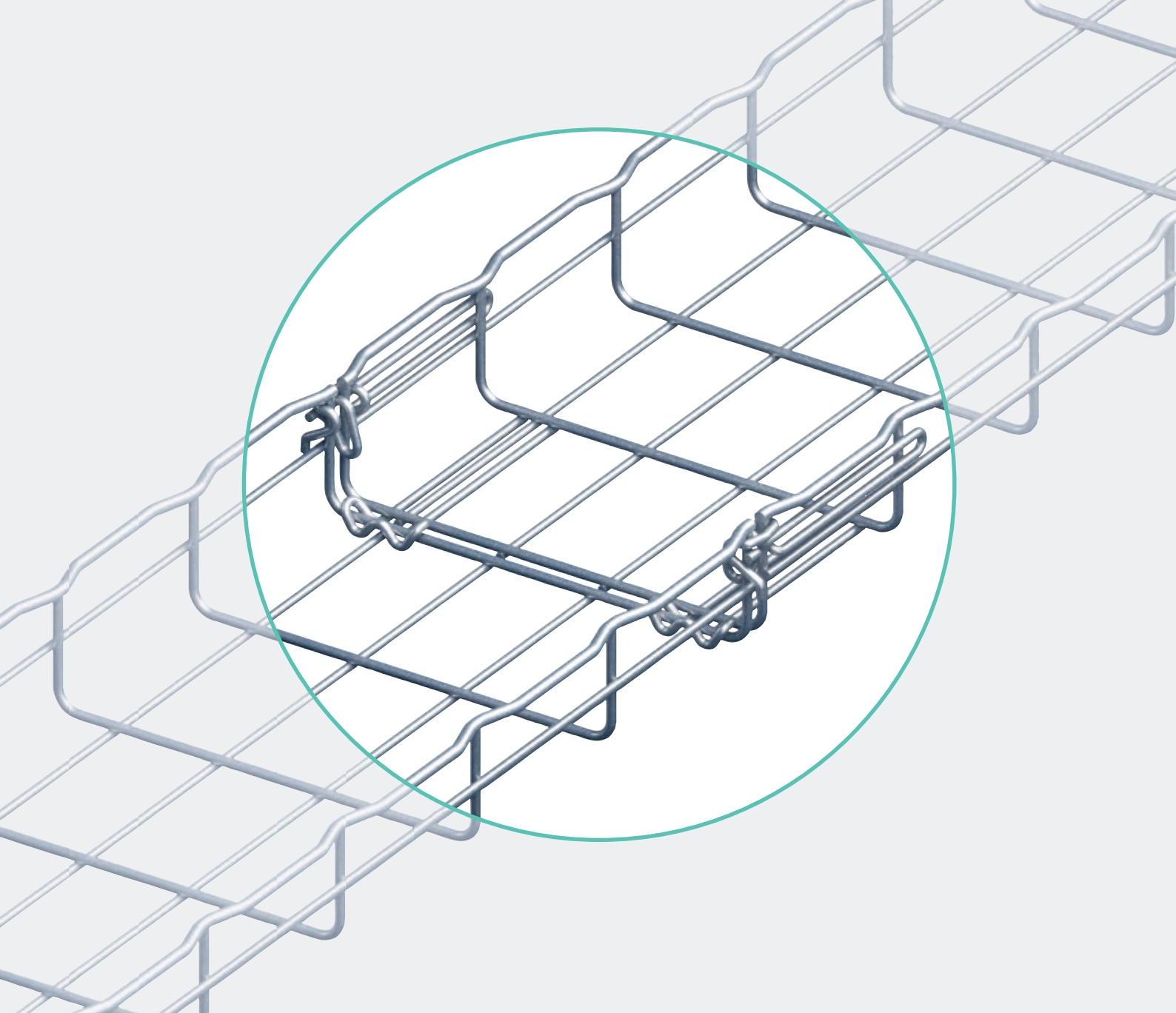
FASCLIC+



**A TOUGH SOLUTION
THAT IS QUICK AND
EASY TO INSTALL**

WIREMESH CABLE TRAYS WITH
AUTOMATIC COUPLING





Fasclic+ range

Wiremesh
cable trays with
automatic coupling

A very comprehensive range with 4 heights, widths between 50 and 600 mm, and available in 4 finishes to meet the very specific needs of different types of site. Lengths in the Fasclic+ range are compatible with all Cablofil accessories and CF lengths and can be mixed within the same installation.





RANGE CHARACTERISTICS

	FC 30	FC 54	FC 105	FC 150
	30 mm	54 mm	105 mm	150 mm
	50 to 600 mm	50 to 600 mm	100 to 600 mm	200 to 600 mm
	3 m	3 m	3 m	3 m
	EZ HR 304L 316L	EZ HR 304L 316L	EZ HR 304L 316L	EZ HR

- EZ** Zinc electroplating after manufacturing
ISO 20-81/82
NF/EN 12-329
DIN 50961
- 304L** 304L stainless steel
NF 10-088-2
- HR** Zinc-aluminium coating (high corrosion resistance)
EN 10244-2
- 316L** 316L stainless steel
NF 10-088-2



COMMERCIAL



DATA CENTERS



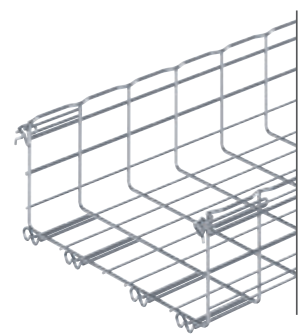
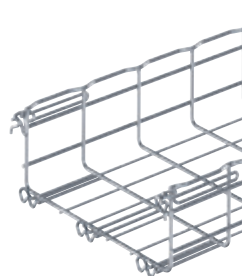
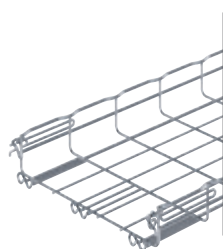
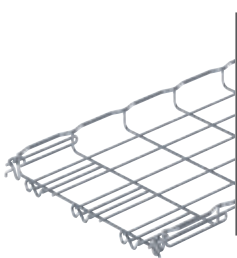
INDUSTRY

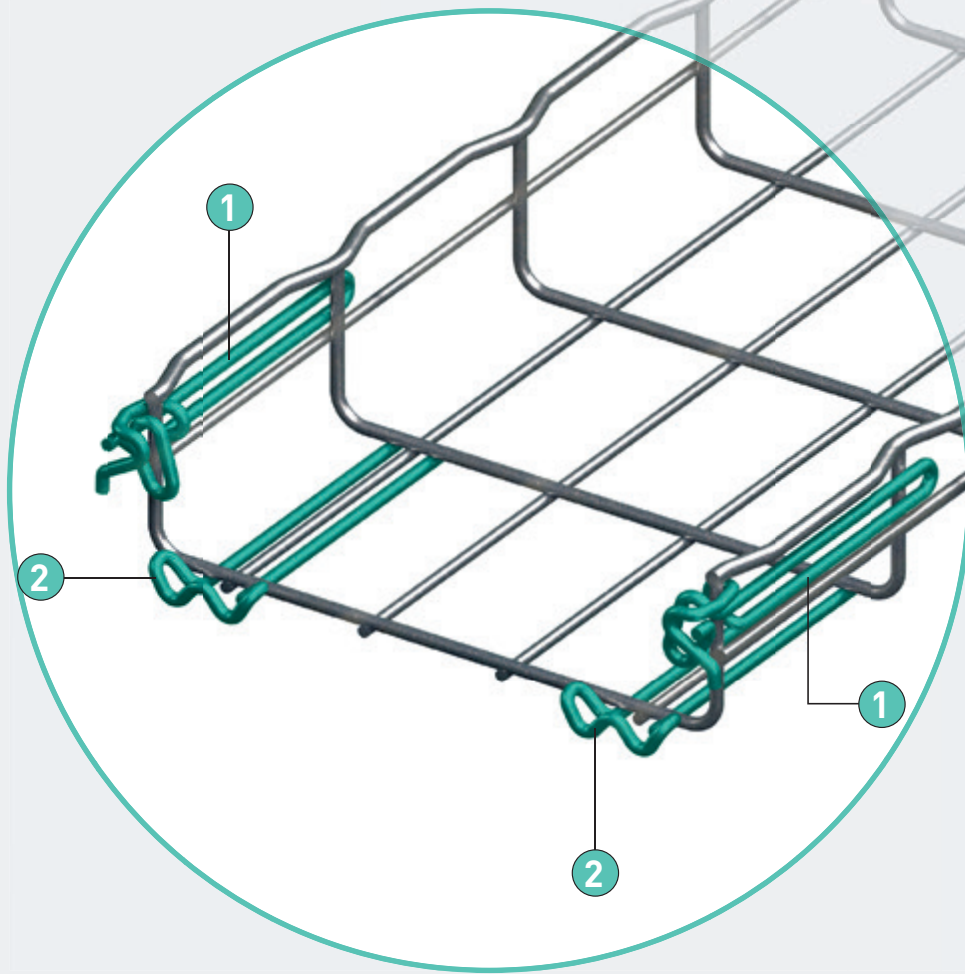


FOOD PROCESSING
INDUSTRY



INFRASTRUCTURES



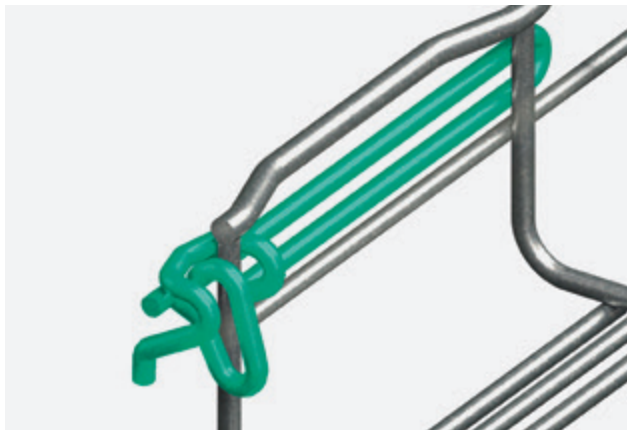


Advantages of the range

A solution that
is quick and
easy to install

Fasclic+ lengths are equipped with an automatic steel wire coupling system that ensures quick toolless connection with the greatest of ease and the minimum of effort. The system design also offers comparable resistance to conventional coupling.

1 CATALOGUE NUMBER = 1 COMPLETE PRODUCT
(LENGTH + WELDED COUPLERS)



1 Side coupler

The profile is specially designed to make it easier to align lengths during installation. The two lengths are assembled by simply clicking together.



2 Base coupler

Base couplers guarantee extra strength. The number required depends on the cable tray width.

THE ADVANTAGES OF THE FASCLIC+ RANGE



Fixing without nuts and bolts.



Speed of installation.



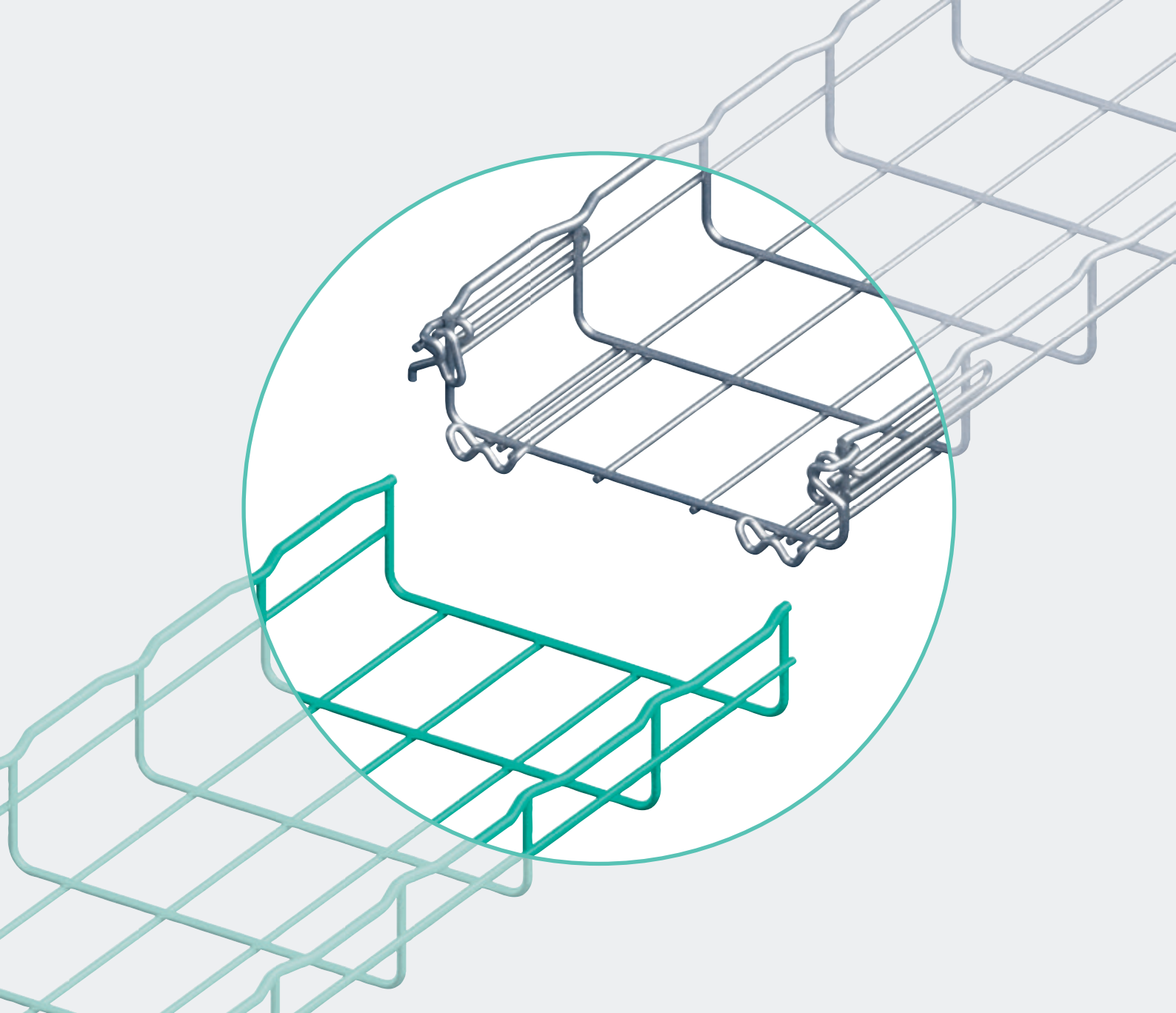
T-joint safety edge (patented system) and rounded steel wires for safer installation and pulling of cables (except FC 30/50).



When on load, electrical continuity is ensured for carbon steel or low-carbon steel products (except FC 30/50).



Coupler and lengths designed to minimise retention of dust or liquids, and facilitate cleaning operations (system suitable for the food processing industry).



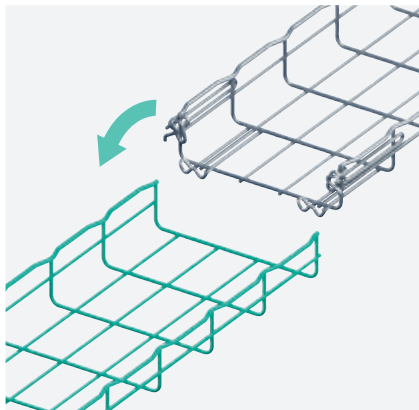
Easy to install

Lengths
assembled in
a few simple
actions

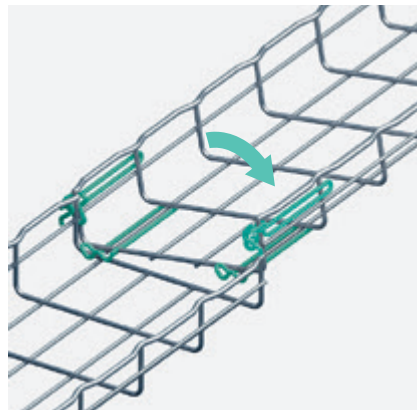
Fasclic+ lengths can be assembled without tools. The coupler system has been designed to be installed without any constraints in confined spaces.



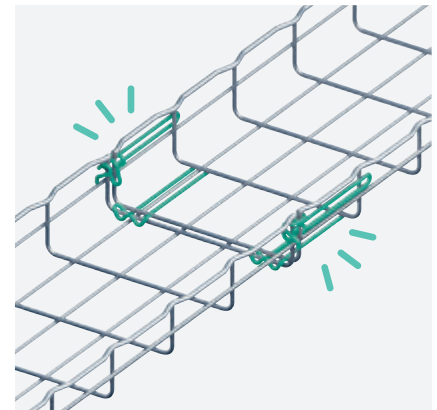
ASSEMBLING LENGTHS



1 Pre-position the joined end on top of the non-joined side as far as it will go, so that the couplers are aligned on the first steel wire.



2 Fit a side coupler from the side, then finish clipping in the second coupler by pushing down.



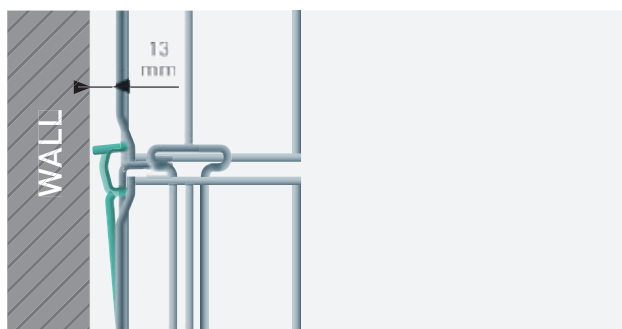
3 The side and base couplers are perfectly engaged on the end steel wire, guaranteeing mechanical strength.



NO SPACE RESTRICTIONS

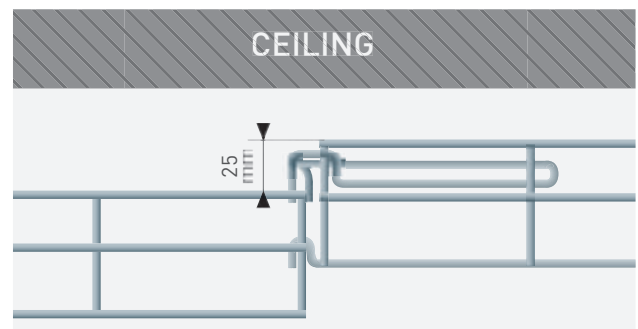
The minimum space needed to assemble lengths is particularly compact, meaning that they are suitable for the smallest configurations:

Fixing on a wall



Distance needed at the side: 13 mm minimum

Fixing to the ceiling



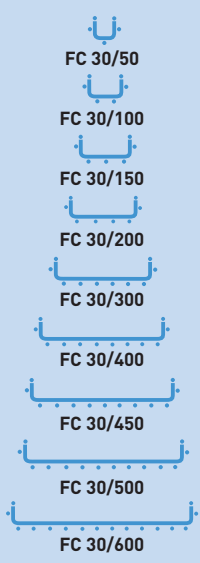
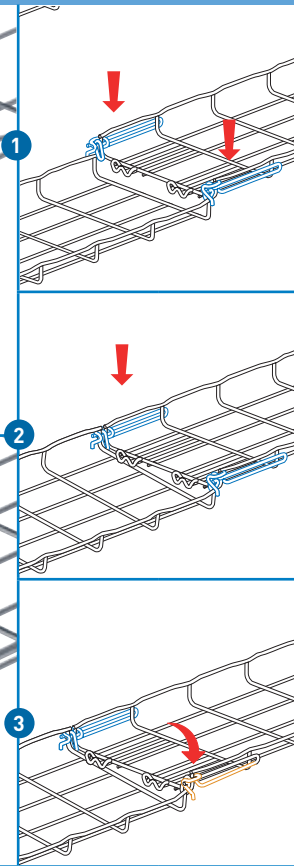
Height needed: 25 mm minimum
(offset between the two lengths)

FC 30 - FASCLIC+ \updownarrow 30 mm \leftrightarrow 50 \rightarrow 600 mm \rightleftarrows 3 m

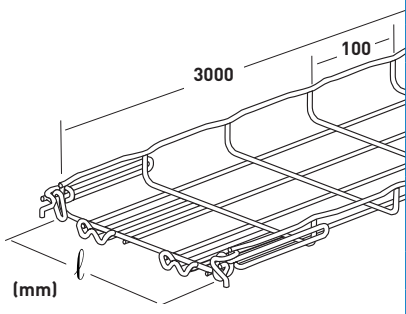


FC 30/50 \rightarrow FC 30/150

FC 30/200 \rightarrow FC 30/600



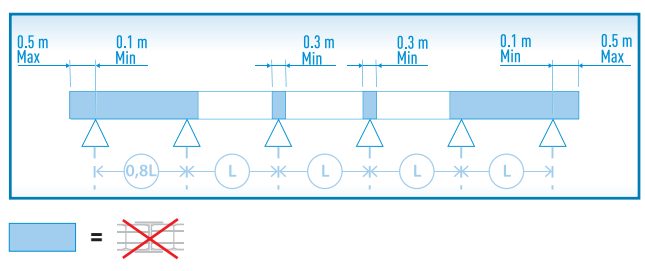
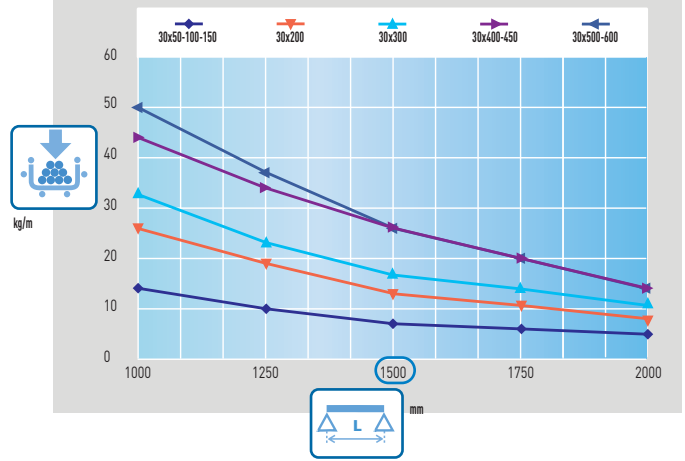
FC 30



	l mm	KG kg/m	EZ	HR	304L	316L
FC 30/50	50	0,38	200 011	200 016	200 018	200 014
FC 30/100	100	0,53	200 021	200 026	200 028	200 024
FC 30/150	150	0,68	200 031	200 036	200 038	200 034
FC 30/200	200	0,95	200 041	200 046	200 048	200 044
FC 30/300	300	1,47	200 051	200 056	200 058	200 054
FC 30/400	400	2,28	200 801	200 806	200 808	200 804
FC 30/450	450	2,44	200 831	200 836	-	-
FC 30/500	500	2,60	200 811	200 816	200 818	200 814
FC 30/600	600	2,92	200 851	200 856	200 858	200 854

EZ - HR

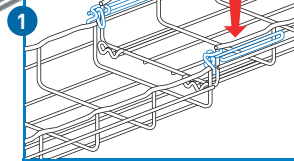
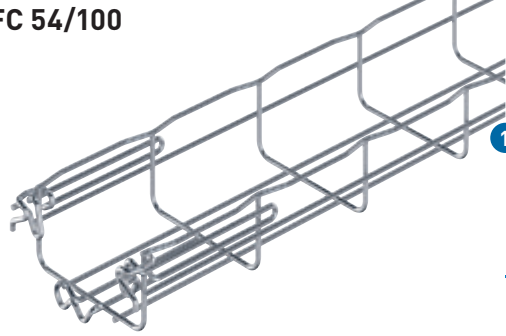
L1500



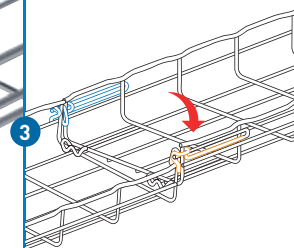
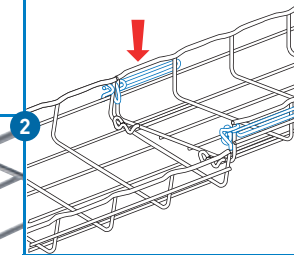
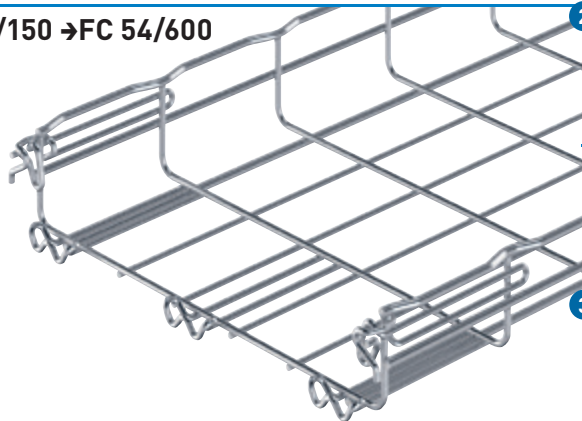
FC 54 - FASCLIC+ \downarrow 54 mm \rightarrow 50 \rightarrow 600 mm \rightarrow 3 m



FC 54/50 \rightarrow FC 54/100

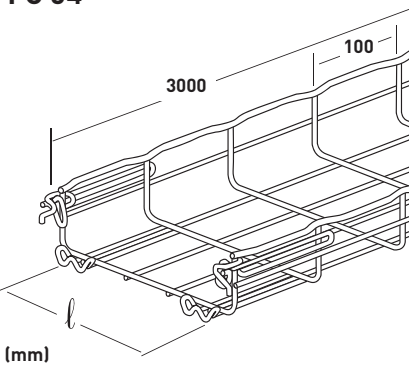


FC 54/150 \rightarrow FC 54/600



- FC 54/50
- FC 54/100
- FC 54/150
- FC 54/200
- FC 54/300
- FC 54/400
- FC 54/450
- FC 54/500
- FC 54/600

FC 54



FC 54/50
FC 54/100
FC 54/150
FC 54/200
FC 54/300
FC 54/400
FC 54/450
FC 54/500
FC 54/600

l
mm

KG
kg/m

EZ

HR

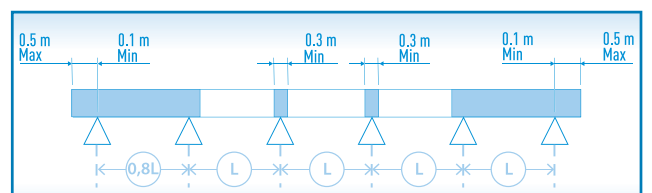
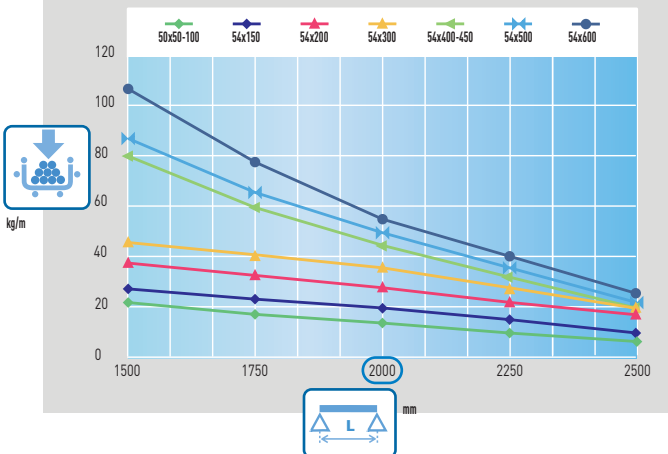
304L

316L

200 061	200 066	200 068	200 064
200 071	200 076	200 078	200 074
200 081	200 086	200 088	200 084
200 091	200 096	200 098	200 094
200 101	200 106	200 108	200 104
200 201	200 206	200 208	200 204
200 251	200 256	200 258	200 254
200 301	200 306	200 308	200 304
200 401	200 406	200 408	200 404

EZ - HR

L2000

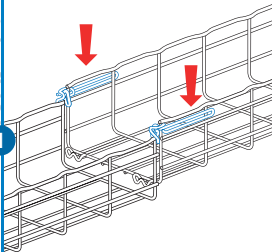
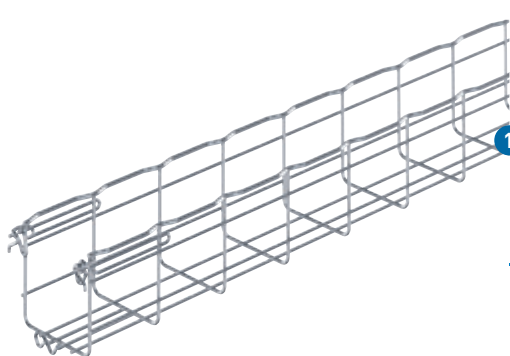


=

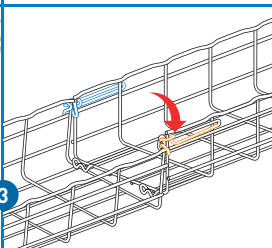
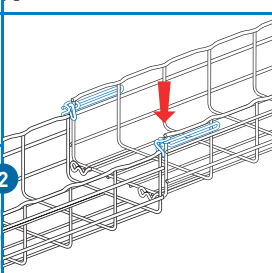
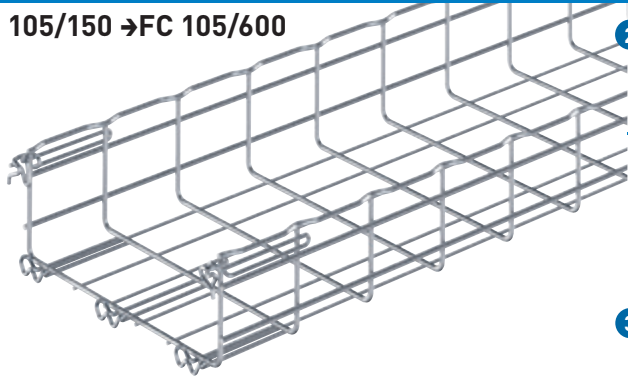
FC 105 - FASCLIC+ \updownarrow 105 mm \rightarrow 100 \rightarrow 600 mm \rightleftarrows 3 m



FC 105/100

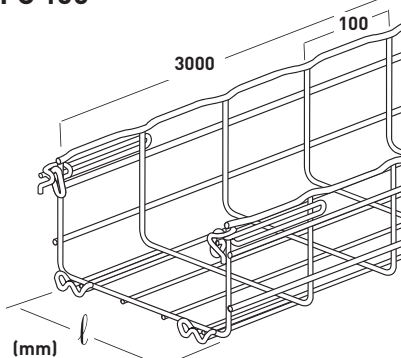


FC 105/150 \rightarrow FC 105/600



- FC 105/100
- FC 105/150
- FC 105/200
- FC 105/300
- FC 105/400
- FC 105/450
- FC 105/500
- FC 105/600

FC 105



- FC 105/100
- FC 105/150
- FC 105/200
- FC 105/300
- FC 105/400
- FC 105/450
- FC 105/500
- FC 105/600

h
mm

KG
kg/m

EZ

HR

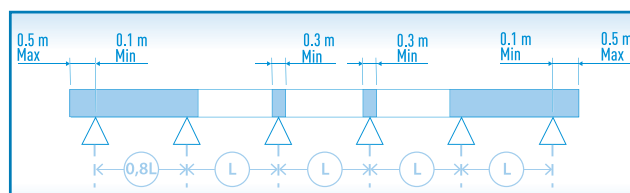
304L

316L

	EZ	HR	304L	316L
FC 105/100	200 891	200 896	200 898	200 894
FC 105/150	200 901	200 906	200 908	200 904
FC 105/200	200 911	200 916	200 918	200 914
FC 105/300	200 921	200 926	200 928	200 924
FC 105/400	200 931	200 936	200 938	200 934
FC 105/450	201 931	200 936	201 938	201 934
FC 105/500	200 941	200 946	200 948	200 944
FC 105/600	201 031	201 036	201 038	201 034

EZ - HR

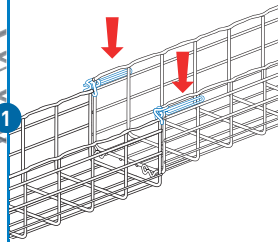
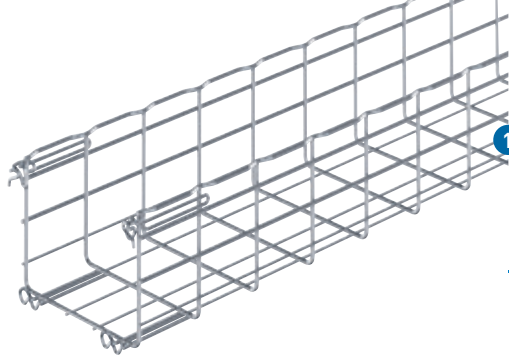
L2000



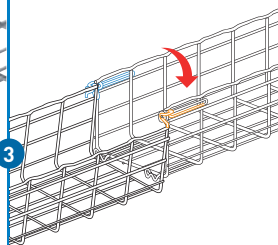
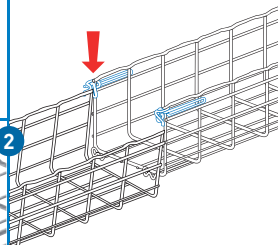
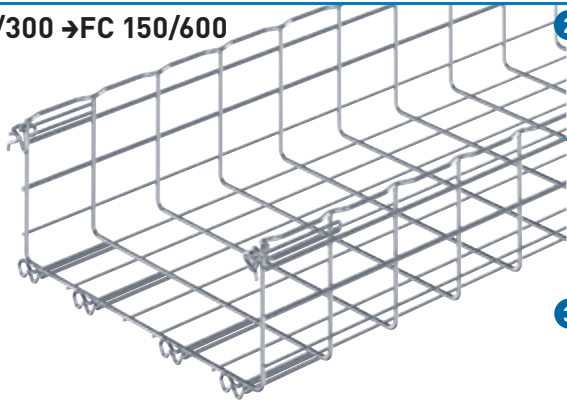
FC 150 - FASCLIC+ \downarrow 150 mm \rightarrow 200 \rightarrow 600 mm \leftrightarrow 3 m



FC 150/200



FC 150/300 \rightarrow FC 150/600



FC 150/200

FC 150/300

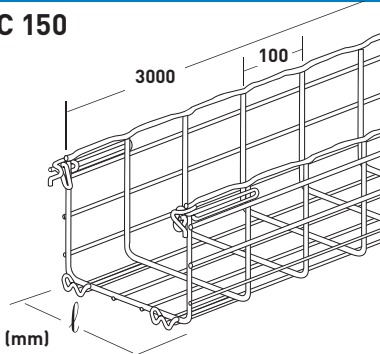
FC 150/400

FC 150/450

FC 150/500

FC 150/600

FC 150



FC 150/200
FC 150/300
FC 150/400
FC 150/450
FC 150/500
FC 150/600

h
mm

kg
kg/m

EZ

HR

304L

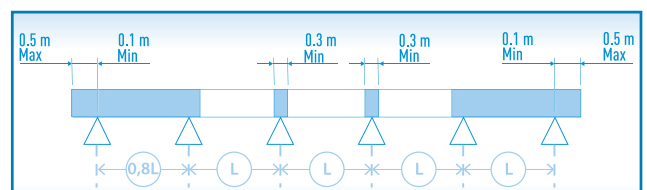
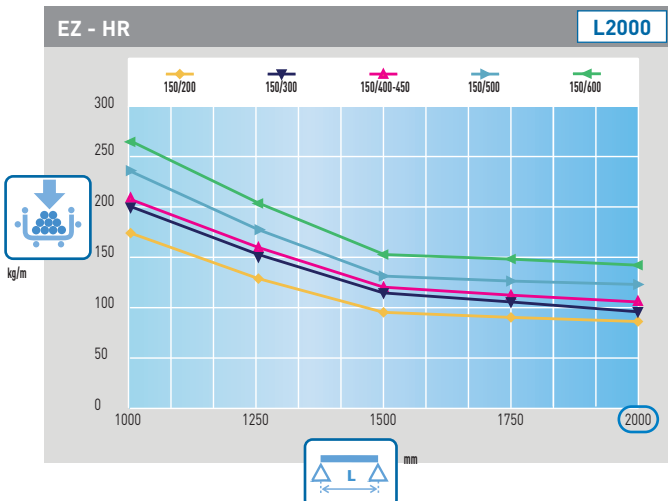
316L

200 951
200 961
200 971
201 011
201 021
201 041

200 956
200 966
200 976
201 016
201 026
201 046

-
-
-
-
-
-

-
-
-
-
-
-



=



International customer service

1 Route de Semur
21500 MONTBARD - France
+33 3 80 89 58 97

Explore our products: www.cablofil.biz
Cablofil worldwide: www.cablofil.com

A Group brand |  **legrand**[®]